



Valuweigh
7XXSoftware

Operation Manual and User Guide

Simple Dual Scales

Cardinal 777 Indicator

REVISION A4

Index

1. Introduction	3
1.1. 777 alphanumeric keypad	3
2. Main screen	3
3. Troubleshooting	4
4. Connections and Cables	5
4.1. Download cable	5
4.2. Technical information for scale engineers.....	6

1. Introduction

A 777 software application working with two scale cards installed in the indicator. A remote PC may be connected via RS-232 or RS-485 and may request the weight from the 777. Up to four scale cards are supported. In the two-card version, the single or total weight of both cards may be requested from the PC. The indicator will return the weight, in the requested mode, back to PC in an ASCII text format.

1.1. 777 alphanumeric keypad



The 777 keypad has 44 buttons which may be used to input alphanumeric information. There are special buttons such as: **ENTER**, **SPACE**, **SHIFT** and **BACKSPACE** (←).

- ENTER** - is used to confirm end of data input.
- SPACE** - is used to put spaces between characters.
- SHIFT** - is used to change character's case.
- BACKSPACE** - is used to delete previously entered character

2. Main screen

When switching ON the indicator it will show the following screen:

The first string (top of the screen) shows weight on a first scales.

The second string shows weight on a second scale.

The third string shows total weight for 1st and 2nd scales.



The active buttons on the main screen are [ZERO], [SUPER], [ABOUT], [TM/DT], [FNCT] and [ID].

[ZERO] will zero the scale if the weight is less than 20-scale divisions.

[SETUP] is a password-protected button that leads to the supervisor menu where parameters and vehicle details can be edited.

[ABOUT] is for program registration.

[TM/DT] – time and date setting

[FNCT] – press to quit the program. This button is password protected and leads to standard indicator menu.

When the ZERO button pressed the following screen will be shown.

From here it is possible to select scales to zero.



Press SETUP button to access remote port setup. The sequences of input boxes will be shown. It will allow user to select remote post number, type, baud, stop and data.



When setup is completed the following confirmation screen will be shown:



3. Troubleshooting

This section covers any problems that may arise when using the system.

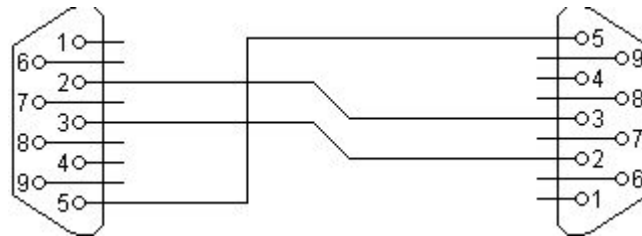
- The indicator needs to see zero weight to register a change of weighing object

- The weight is more than zero and less than 20 intervals of the calibration of the 777 indicator. The weight may be too small for the system to register it as a valid weight.
- Platform was unstable and in motion when the button was pressed
- The weight was not in the normal operation range, i.e. it was below zero or the platform was over capacity

4. Connections and Cables

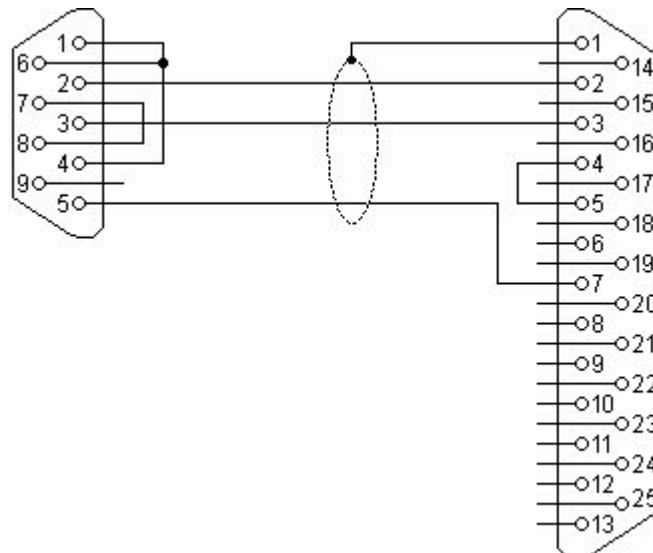
4.1. Download cable

The cable that should be used to connect the external device to the 777 indicator has a 9 pin female connector on both sides.



Pic. 1. Download cable 9 pin female 777 to 9 pin female PC.

However, some PC models use a COM port that may have 25-pin connector.



Pic. 2. Download cable 9 pin female 777 to 25 pin female PC

4.2. Technical information for scale engineers

In some cases there is a chance that the hardware port from the PC or the 777 is damaged, or has internal problems. Please be sure that the port is physically working before requesting any software changes.

The easiest way to check both ports is to load the software into the 777 indicator from the PC via a download cable. If the download is successful then there is a bi-directional connection between the PC and the 777 indicator and all communications should work as expected.



**Unit 17/18 Mercers Road, Chapel Pond Hill, Bury St. Edmunds,
Suffolk, IP32 7HX**

Tel: 01284 701222 Fax: 01284 703559