



Valuweigh
7XXSoftware

Operation Manual and User Guide

Excel Link PC
Application
(Version 2.0 or higher)

Cardinal 7XX Indicator

INDEX

1. Overview	3
2. Installation	3
3. Start it!	3
3.1. Load data into Excel Link	4
3.2. Main screen of the Excel Link	4
3.3. Spreadsheet example	5
4. Connections and cables	6

1. Overview

Excel Link is a PC software application allows transferring data information from any 7XX series indicator direct to Excel spreadsheet.

2. Installation

To install the AWM Excel Link software unzip package installation first via some software like winzip or winrar. You may use the following links to obtain mentioned archive software if you have no:

<http://www.winzip.com/downwzeval.htm> ,

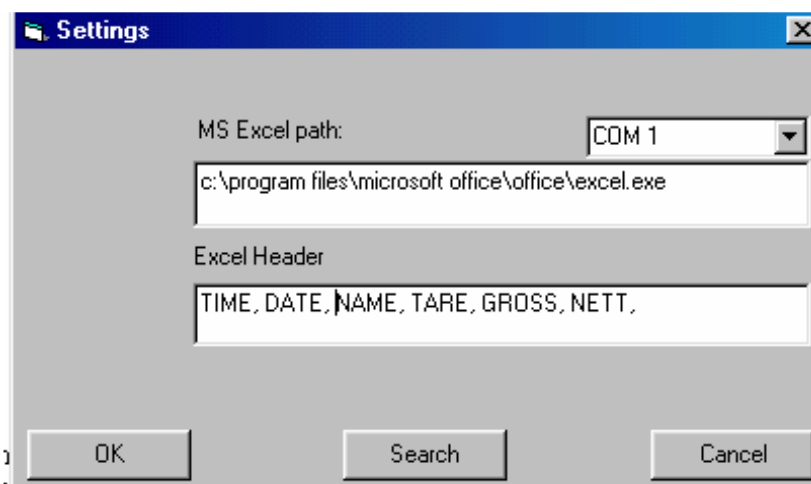
<http://www.rarlabs.com/download.htm> ,

<http://www.izarc.org/download.html>

Execute SETUP.EXE and follow on screen installation instructions.

3. Start it!

After execute the program the following window will be shown,



This is the start up screen.

The COM ports should be specified and the MS Excel link path must be found.

The software will do this search by itself. Simply click the 'Search' button and the program will automatically find MS Excel.

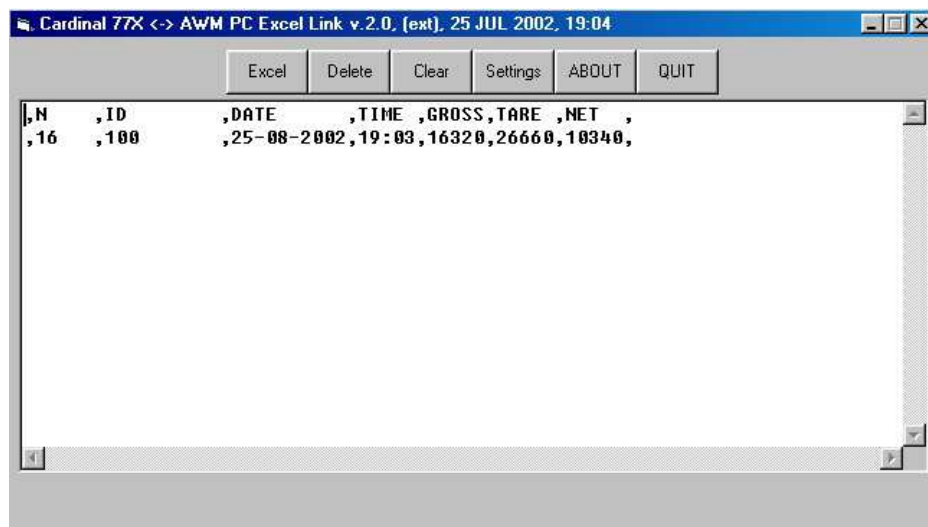
The headings that will appear at the top of the columns in MS Excel can be customized, as shown above, with comma-separated headings.

The 'Settings' may be accessed again later from the Main Menu of the program.

3.1. Load data into Excel Link

Use 'data send' option to send accumulated data information from the 7XX indicator into Excel Link.

The following screen is the data capture screen. This screen must be used before the data is sent from the indicator. When the raw data is collected then it can be put into a MS Excel spreadsheet by clicking the 'Excel' button.



3.2. Main screen of the Excel Link

EXCEL - to execute Excel and insert all current downloaded data into an Excel sheet.

DELETE – to delete stored data. The download works as always keeping the old data and adding the new data to the bottom of the stored records, so press this button to delete the old data if you don't need that any more.

CLEAR – to simply clear the data from the screen, this does not affect the present data stored on the hard disk;

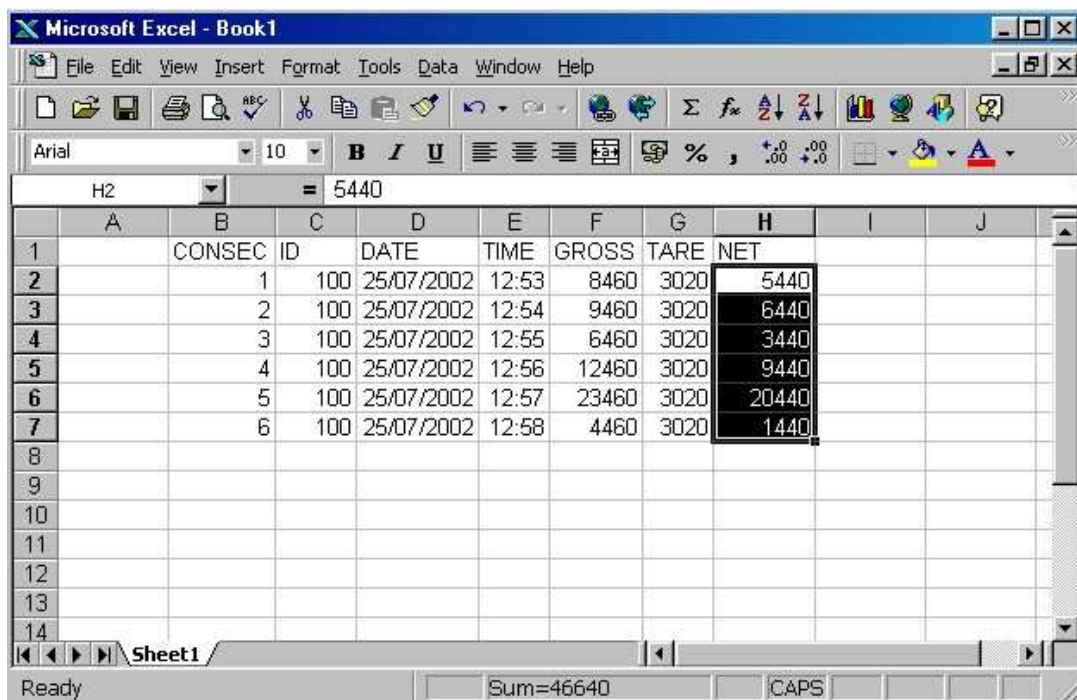
SETTINGS – COM port and path settings, as mentioned above.

ABOUT – to see the splash screen of the program.

QUIT – to quit the current software application.

3.3. Spreadsheet example

Below is an example of an Excel spreadsheet created after the data has been sent to MS Excel from Excel Link. When weight data is inserted into Excel it is possible to use all of the functions of Excel to build different reports and to make data analyze. For example, to sum net weight of all loaded records.

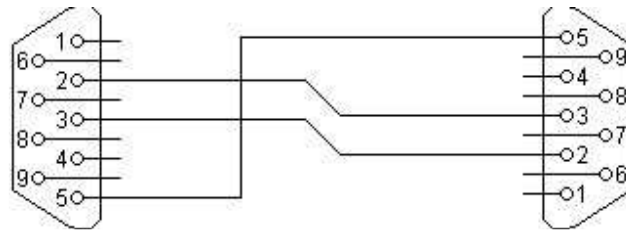


	A	B	C	D	E	F	G	H	I	J
1		CONSEC	ID	DATE	TIME	GROSS	TARE	NET		
2		1	100	25/07/2002	12:53	8460	3020	5440		
3		2	100	25/07/2002	12:54	9460	3020	6440		
4		3	100	25/07/2002	12:55	6460	3020	3440		
5		4	100	25/07/2002	12:56	12460	3020	9440		
6		5	100	25/07/2002	12:57	23460	3020	20440		
7		6	100	25/07/2002	12:58	4460	3020	1440		
8										
9										
10										
11										
12										
13										
14										

Excel Link is a simple and quick way to get data from the 7XX indicator into Excel spreadsheet.

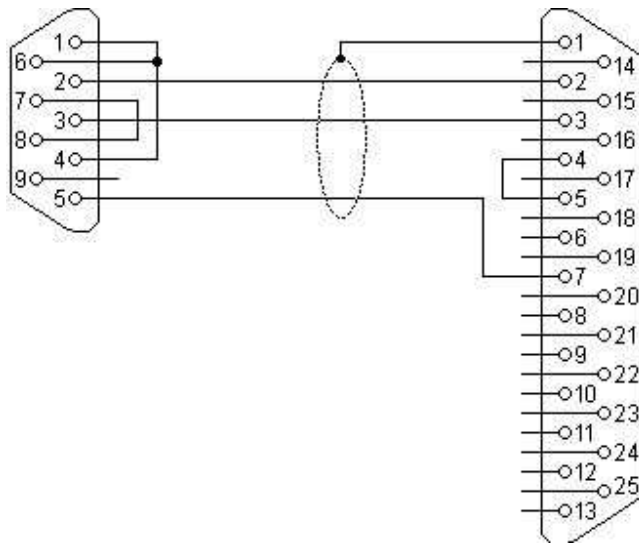
4. Connections and cables

The cable that should be used to connect the external device to the 7XX indicator has a 9 pin female connector on both sides.



[Download cable 9 pin female 7XX to 9 pin female PC](#)

However, some PC models use a COM port that may have 25-pin connector.



[Download cable 9 pin female 7XX to 25 pin female PC](#)

In some cases there is a chance that the hardware port from the PC or the 7XX is damaged or has internal problems. Please be sure that the port is physically working before requesting any software changes.

The easiest way to check both ports is to load the software into the 7XX indicator from the PC via a download cable. If the download is successful then there is a bi-directional connection between the PC and the 7XX indicator and all communications should work as expected.



**Unit 17/18 Mercers Road, Chapel Pond Hill, Bury St. Edmunds,
Suffolk, IP32 7HX**

Tel: 01284 701222 Fax: 01284 703559