

# Industrial Junction Boxes BJS

Precise, stainless steel and waterproof



## Typical Applications

- High capacity scales
- Weighbridges
- Industrial weighing applications
- Weighing in wet and hygienic environments
- Weighing systems under lightning risk



## Features

- Up to 8 load cell connection
- Corner trimming by high long term stable components
- Stainless steel housing
- IP67 waterproof protection
- Easy eccentricity adjustment
- Lightning protection at all models
- Doesn't distort the signal balance of the matched load cells



## Heavy Industrial Products

- These instruments are designed for heavy industrial environments
- IP67 stainless steel housing
- Wide Operating temperature range from -15 to 60 °C
- Lightning protection increases your system's reliability in long term.



The accuracy and performance of a weighing scale is not only dependent on the quality and performance of the loadcells, fabrication and indicator but also on a vital but often overlooked component, the Junction Box. The BJS range of precision junction boxes are designed to be used in all kinds of industrial weighing applications from weighbridges and high capacity scales to simple platform and tank scales.

The stainless steel IP67 rated BJS range is suitable for use in the harshest of conditions and incorporates the highest quality components to ensure the best possible performance.

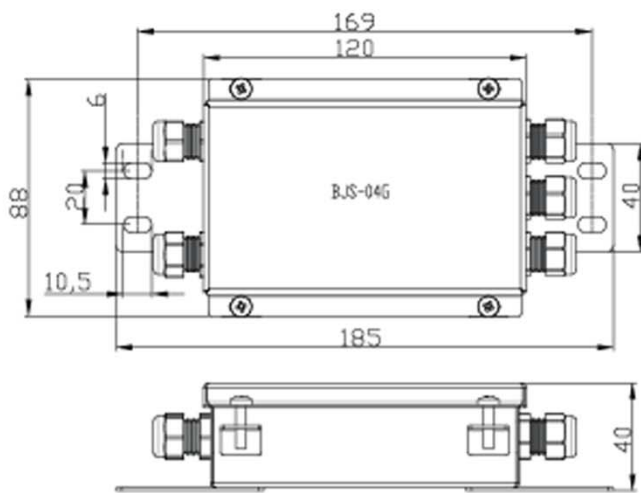
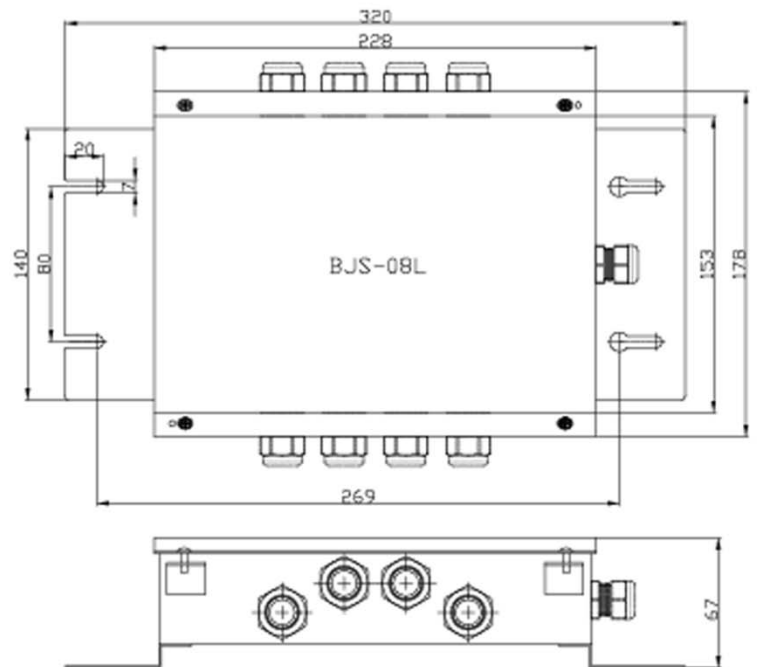
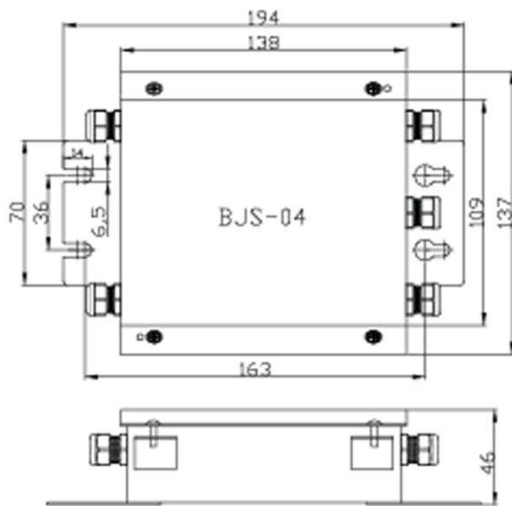
The summing boards are professionally designed to have no negative or degrading effect on the loadcell signal and as such are ideal for maintaining the integrity and performance of matched loadcell systems.

The BJS 8-cell weighbridge junction box offers lightning and surge protection and also includes lock out tabs to ensure once the trim positions are set there is no drift or accidental adjustments.

# Specifications

	BJS-04G and BJS-04	BJS-08L
Technnology	Passive adjustment with precision components	
Load cell quantity	Up to 4	Up to 8
Lightning protection	No	Yes
Load cell impedance	350 ohm to 1200 ohm	
External grounding	Yes	
Sealing	Available	
Enclosure material	Stainless steel, IP67	
Cable glands	PG9 for cable diameter 4 to 8 mm.	
Operating temperature range	-15 to +60 °C	
Humidity	90% RH max , non condensing	
Dimensions	BJS-04G - 88 x 40 x 169mm / BJS-04 - 137 x 46 x 194mm	178 x 67 x 320 mm.
Weight (packed)	735 gr.	1545 gr.

# Dimensions



# Order Configuration for Baykon J. Boxes

