

Animal scale ETW



Operating manual **- Translation of the original -** (keep for future use)

Foreword

These operating instructions provide you with detailed information about the Animal scale ETW.

These instructions contain safety instructions to guarantee safe use.

The manufacturer strives to improve their products on an ongoing basis. They reserve the right to carry out any and all modifications and improvements that they consider to be necessary. However, this means that there is no obligation to carry out retrospective modifications in this connection.



Danger

Before using the Animal scale ETW, you must have read and understood the operating instructions and the safety regulations that they contain.



Note

Errors and omissions in the documentation reserved. If necessary, please inform Bosche GmbH & Co. KG of any errors in the documentation. We would also be grateful for any suggestions for improvements that you may have.

The manufacturer's contact data is listed on the reverse of the title page. If you have any queries or problems, please contact the manufacturer without delay.



Note

Have your serial number to hand when contacting Bosche GmbH & Co. KG.

Table of contents

1 Safety	3
1.1 For your safety	3
1.1.1 General	3
1.1.2 Safety symbols in this manual	4
1.2 Intended use	4
1.3 Inappropriate use	4
1.4 Hazard warnings on the animal scale	5
1.5 Safety instructions for the assembly personnel.....	5
1.6 Obligations of the owner/user	6
1.7 Obligations of the operator.....	6
1.8 Description of the dangers	6
1.8.1 Danger of injury.....	6
1.8.2 Danger of damage	6
1.9 Liability and warranty	6
2 Description	7
2.1 Functionality	7
2.2 Construction	8
3 Transport, commissioning/start-up and tests	9
3.1 Packaging and disposal	9
3.2 Transport.....	9
3.3 Commissioning.....	10
3.4 Regular checks	10
3.5 Cleaning.....	10
4 Operation animal weighing function	11
5 Troubleshooting	12
5.1 In the event of a malfunction	12
5.2 Error messages of the scales.....	12
5.3 Customer service contact data.....	12
5.4 Information for the contact to the customer service	13
6 Technical data	14
6.1 Type plate	14
6.2 Technical drawing	14
6.3 Technical data.....	15
6.4 Scope of delivery.....	15

1 Safety

This chapter warns against possible risks when handling the device. The information for detection of risks contained in this chapter is intended to allow a safe and correct operation.



It is important to read and adhere to this operating manual and particularly this chapter prior to operating this device.

1.1 For your safety

1.1.1 General

In addition to safety information, the operating manual includes:

- A general product description
- Information about installation and connection of the device
- Instructions to operate the device
- Maintenance and care instructions
- Troubleshooting and remedy instructions
- Technical data

Always keep this operating manual and additional documents for your personnel at hand in the direct vicinity of the device.

Always adhere to all information, notes, instructions and explanations contained in this manual! Avoid accidents caused by incorrect operations! Also adhere strictly to the valid legal regulations in addition to the safety instructions specified in this manual.

Prior to commissioning/start-up read the safety information/instructions and familiarise yourself with dangerous areas.

The device is constructed according to the current state of art and the valid safety regulations. However, there are risks in the event of incorrect operation or non-observance of the safety regulations:

- Danger to limb and life of operators, third parties and animals staying in the vicinity of the device.
- Danger to the device and other assets of the owner/user
- Danger to the efficient operation of the device.

1.1.2 Safety symbols in this manual

The following symbols are used on all important positions in this manual. Particularly observe these notes and treat very carefully.



Danger

This note indicates the danger of injuries and/or danger to life, if specific behaviour rules are not observed.

When this symbol appears in the operating manual, please take all required safety measures.



Attention

This note warns against damage to assets as well as financial disadvantages and responsibility under criminal law (e.g. loss of the warranty, cases of third party risks, etc.).



Note

Important notes and information about efficient, economic and environmental friendly handling are specified here.

1.2 Intended use

The Animal scale ETW is used to display the weight of animals up to 300 kg.

Any further use is considered as not in accordance with the intended use. The manufacturer does not assume any liability for resulting damage.

The intended use also includes:

- Observance of all notes, information, instructions contained in the documentation as well as in all manuals supplied by the manufacturer.
- Adherence of the maintenance and service conditions and intervals prescribed by the manufacturer and
- Observance of technical data.

Adhere to the attendant accident prevention regulations as well as other generally approved technical safety rules.

1.3 Inappropriate use

- Use in explosive environments (ATEX zones).
- Incorrect installation, commissioning, operation and maintenance of the animal scale.
- Unauthorised structural changes.

1.4 Hazard warnings on the animal scale

On the animal scale you will find pictograms according to EN ISO 7010, which indicate special behaviour. These may not be removed and must be maintained in legible condition.

Warning! Risk of hand injuries

At these danger points, hand injuries are possible due to crushing between moving and fixed machine parts. Do not reach into this area!



1.5 Safety instructions for the assembly personnel

Warning! Risk of suspended load

When transporting machine parts with load handling attachments, suitable means must be used.



Warning! Risk of obstacles on the ground

Risk of injury from tripping/falling when working with the scale.



Wear safety shoes



Wear safety gloves



1.6 Obligations of the owner/user

The owner/user obligates himself to only instruct people to work on the device, who:

- Are familiar with the basic rules concerning safety and accident prevention and are trained in the operation of this device and
- have read and understood the operating manual, the safety chapter as well as the warning notes.

1.7 Obligations of the operator

All people instructed to operate the device obligate themselves:

- to always ensure the safety of other people,
- to read the operating manual, the safety chapter and the warning notes and
- to only operate the device when they are familiarised with its functions.

1.8 Description of the dangers**1.8.1 Danger of injury**

- Always switch off the device for care and maintenance work.
- Never insert any pointed objects into the electric contacts.
- Do not change the contacts.
- Stop device operation if the device or the connection line is damaged or malfunctions.

1.8.2 Danger of damage

- Only connect the device to suitable load cells.
- Never use pointed objects to actuate the device keys.

1.9 Liability and warranty

The BOSCHE company offers a restricted warranty for components, which became faulty due to strain or material faults. The warranty starts with the date of delivery. The BOSCHE company retains the right to repair or replace components. Repair work executed during the warranty period will not extend the period of warranty. The warranty becomes null and void:

- In the event of incorrect use / use other than the intended use or incorrect installation
- Incorrect electric connection
- Use of an incorrect or non-licensed analogue / digital converter
- Non-observance of the specifications in the operating manual
- Conversion, modification or opening of the device
- Unintentional or mechanical damage and damage caused by media, liquids, natural wear.

2 Description

2.1 Functionality

The ETW animal scale is used to determine the weight of animals. The weighing results can be stored or transmitted.

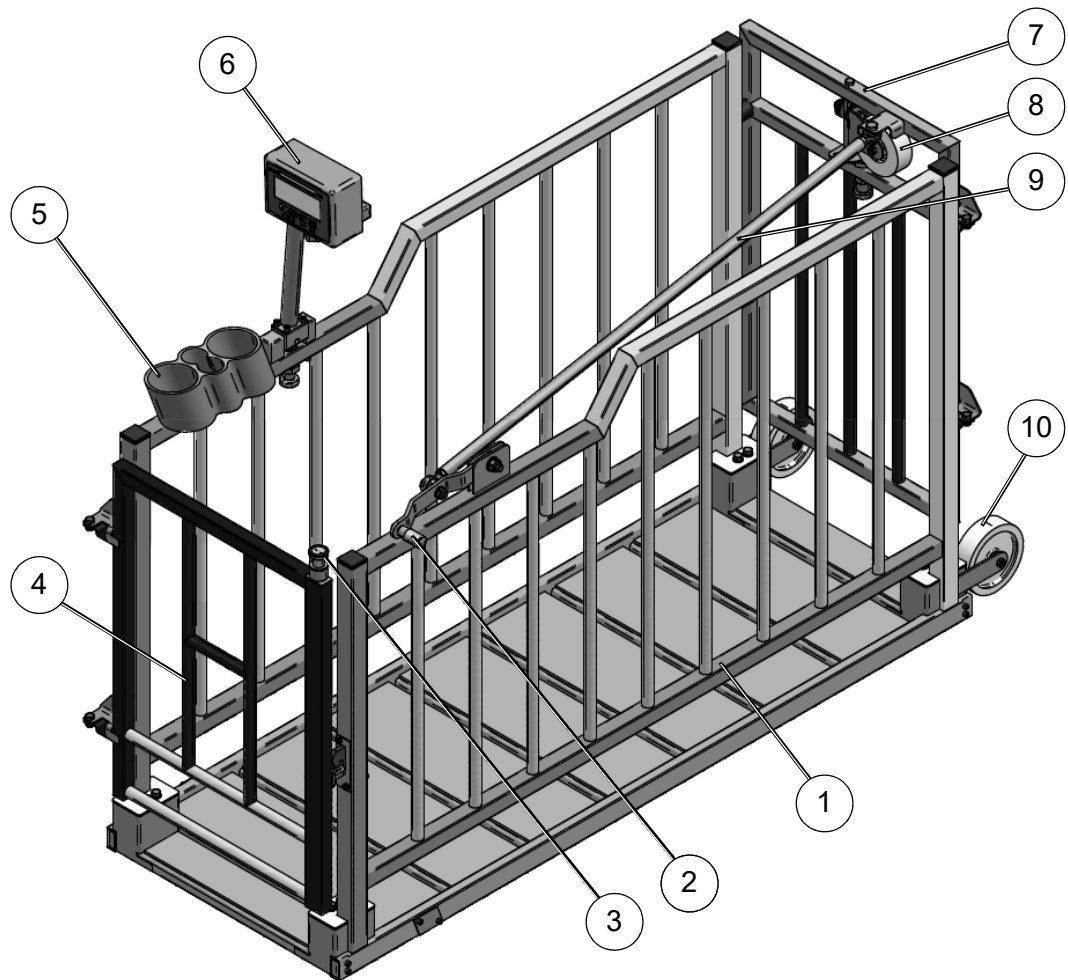
An integrated three-colour signal lamp optically supports product weighing.



Note

Please also refer to the separate operating instructions supplied for the "Display ETW".

2.2 Construction



Item	Designation
1	Frame completely made of stainless steel with non-slip slatted floor.
2	Door operating lever for the exit door.
3	Star handle for opening the entrance door.
4	Entrance door
5	Pen and spray can holder.
6	Display ETW (sep. operating manual) with holder and locking bolt.
7	Exit door
8	Foldable castor with locking bolt for transport.
9	Lever mechanism for the exit door.
10	2 x transport rollers

3 Transport, commissioning/start-up and tests

3.1 Packaging and disposal



Note

When the animal scale is delivered, check the packaging, the device and possible accessories for visible damage.

Keep all parts of the original packaging for a possible return.



Note

Only use the original packaging if the display is returned.

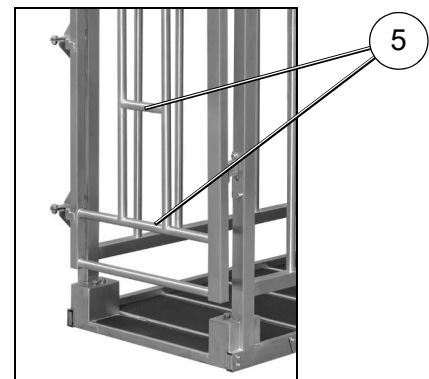
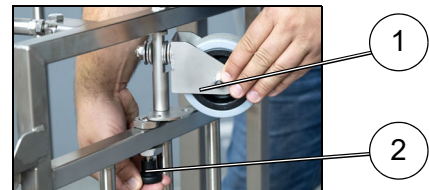
Prior to the transport, disconnect/fasten all loose/moving parts of the device. Secure the parts against slipping/damage.

Dispose of the packaging and the display according to the national and/or local regulations by law valid on the installation site. Separately dispose of a defective battery according to the national and local regulations on environmental protection and recycling.

Do not treat this product as standard waste. Please dispose of via a waste management company.

3.2 Transport

- For transport, first fold out the folding castor (1) by pulling the locking bolt (2) down.
- Fold in the display terminal (3) by pulling the locking bolt (4) down.
- Take hold of the crossbars (5) in the entrance door and lift the scale.
- The animal scale can then be conveniently transported upright or stored in a space-saving way



3.3 Commissioning

- Place the animal scale on a safe and level surface.
- Unfold the display terminal by pulling down the locking bolt.
- Set the rotating display correctly.
- Charge the battery of the display, completely before first use.


3.4 Regular checks

Check the animal scale for visible damage, prior to each use. If defectives can be detected, immediately stop operating and any other work and contact an authorised expert.

3.5 Cleaning

The animal scale can be cleaned with a water jet. Make sure that the display does not come in contact with water, this is only cleaned with a damp cloth.

4 Operation animal weighing function

- Press the key „ON/OFF_TARE“ at the display.
 - The display switches on.
 - The display automatically sets to “0.0”.
 - The scale is ready for use.
- Open the entrance gate by pushing the star handle down.
- Place the animal on the scale.
- Close the entrance door.
- Read the current weight in the display.
 - The stability display appears with stable values 
- If the signal lamp is activated, the weight is visually signalled by LED lights. The weight ranges can be set in the display menu (see separate operating manual).
 - Red: Weight too high, green: Admissible weight, yellow: Weight too low).
- If necessary, mark the animal with the appropriate colour.
- Press the key “M+“, if the value is to be saved.
 - The current weight is saved.
 - Use the door operating lever for exit.
 - The animal escape the scale
- After finishing the weighing, you can transfer the data to a USB stick (see operating instructions display ETW chap. 4.4), if necessary.
- Press the key “ON/OFF_TARE“ on the display for two seconds.
 - “OFF“ appears on the display.
 - The scale switches off.

**Note**

Is the automatic switch-off active, i.e. no weight change takes place during a set period of time, the scale switches off automatically.

5 Troubleshooting

5.1 In the event of a malfunction

We recommend switching off the scales briefly and disconnecting it from the mains, if a malfunction occurs in the program sequence. Then restart the weighing process..

5.2 Error messages of the scales

See separate operating manual supplied with the display ETW!

Error message	Possible cause
No function	Batteries empty or incorrectly inserted.
Scale switches off unintentionally	Batteries empty or defective. The automatic switch-off is activated.
Obviously incorrect weighing results are displayed.	The scale does not stand on a solid, level surface.
--OL-- Overload	The maximum set weighing range is exceeded.
ErrScL	The scales is not connected.
Er2Ero	The scales is not zeroed prior to the weighing process →0← .

If error messages occur again, please contact the Bosche customer service.

5.3 Customer service contact data

Bosche GmbH & Co. KG
Reselager Rieden 3
D-49401 Damme

Phone +49 5491 999 689 0
Fax +49 5491 999 689 9
Email info@bosche.eu

5.4 Information for the contact to the customer service

Owner/user	Specifications
Name of your company	
Name of a contact person	
Contact data Telephone Fax Email	

Tabelle 5.1: Your company

Product	Specifications
Model name	
Serial number	
Type key	
Date of purchase	
Name and location of the supplier	



Note

Fill in the table shown above when the display is delivered to be able to use all information without any problems at any time.

Information about the problem:

Examples for required specifications to support troubleshooting:

- Does the display operate fault-free since its delivery?
- Has the display any contact to water?
- Was there any damage due to a fire?
- Was there a thunderstorm before / during the malfunction?



Note

Please inform us about the entire history of the display.

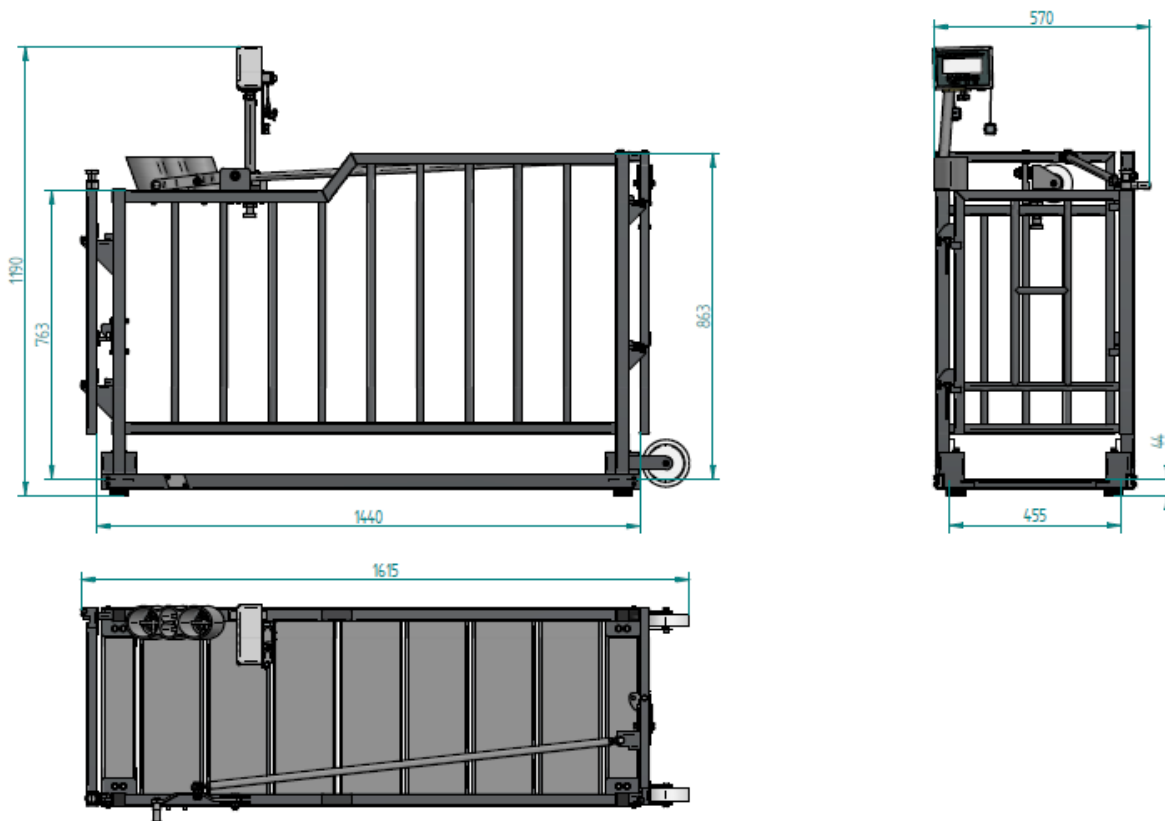
6 Technical data

6.1 Type plate

The type plate is located on the display ETW.



6.2 Technical drawing



6.3 Technical data

Feature	Value / Unit
Type	Mobile animal scale
Dimensions (B x H x T)	570 x 1216 x 1615 mm
Total weight	Approx. 55 kg
Power supply (external) for the display ETW	12 VDC / 230 VAC, 1000 mA via external mains adapter.
Battery operating time	approx. 30 hours, depending on usage (lithium-ion battery)
Battery charging time	3-5 hours
Operating temperature	+5°C to +40°C
Relative air humidity	max. 80 %, non-condensing

6.4 Scope of delivery

Component	Note
Animal scale ETW with operating manual	
Display ETW with operating manual	
Mains adapter	